

World Leader in Sophisticated Packaging Systems

# BP Universal Tape Head Adapter Kit Form

Date \_\_\_\_\_

**End User**

**Dealer**

Company Name \_\_\_\_\_  
 Address \_\_\_\_\_  
 City \_\_\_\_\_ State \_\_\_\_\_ Zip \_\_\_\_\_  
 Contact Name \_\_\_\_\_  
 Title \_\_\_\_\_  
 Telephone No. \_\_\_\_\_  
 Fax \_\_\_\_\_  
 E-mail \_\_\_\_\_

Company Name \_\_\_\_\_  
 Address \_\_\_\_\_  
 City \_\_\_\_\_ State \_\_\_\_\_ Zip \_\_\_\_\_  
 Contact Name \_\_\_\_\_  
 Title \_\_\_\_\_  
 Telephone No. \_\_\_\_\_  
 Fax \_\_\_\_\_  
 E-mail \_\_\_\_\_

Machine Make and Model \_\_\_\_\_

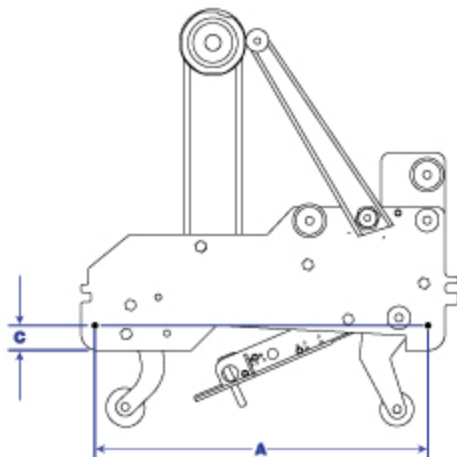
Serial Number \_\_\_\_\_

Tape Head Size:    2"                      3"                      Top                      Bottom

Low Tape Sensor:    Y            N  
 No Tape Sensor:    Y            N

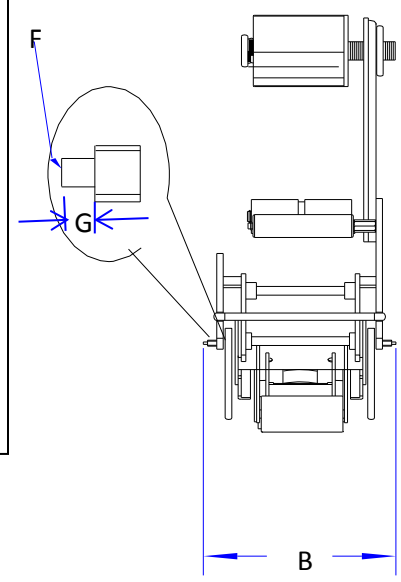
**Tape Head Measurements**  
For machines that require mounting studs

Length and height Measurements



- A. Length measurements are from center of stud to center of stud.
- B. Width measurements are from end of stud to end of stud.
- C. Height measurements are from bottom of tape head to center of stud.
- D. Width of tape head cavity
- E. Length of tape head cavity
- F. Diameter of stud
- G. Length of the stud from end of stud to beginning of shoulder

Width and Diameter Measurements



A. \_\_\_\_\_"  
 B. \_\_\_\_\_"  
 C. \_\_\_\_\_"  
 D. \_\_\_\_\_"  
 E. \_\_\_\_\_"  
 F. \_\_\_\_\_"  
 G. \_\_\_\_\_"