

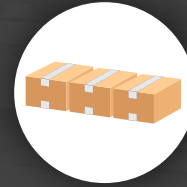


# MQ22 FOOTPRINT

## MANUAL QUAD DRIVE CARTON SEALER



OPERATOR REQUIRED



UNIFORM CARTONS

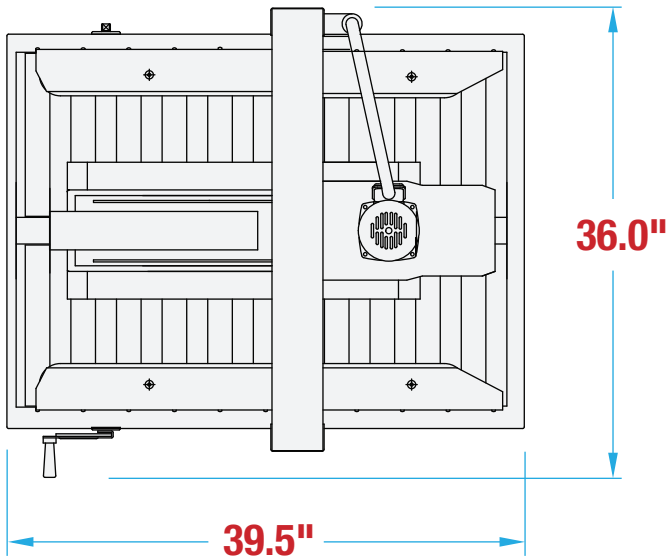


TOP & BOTTOM SEAL

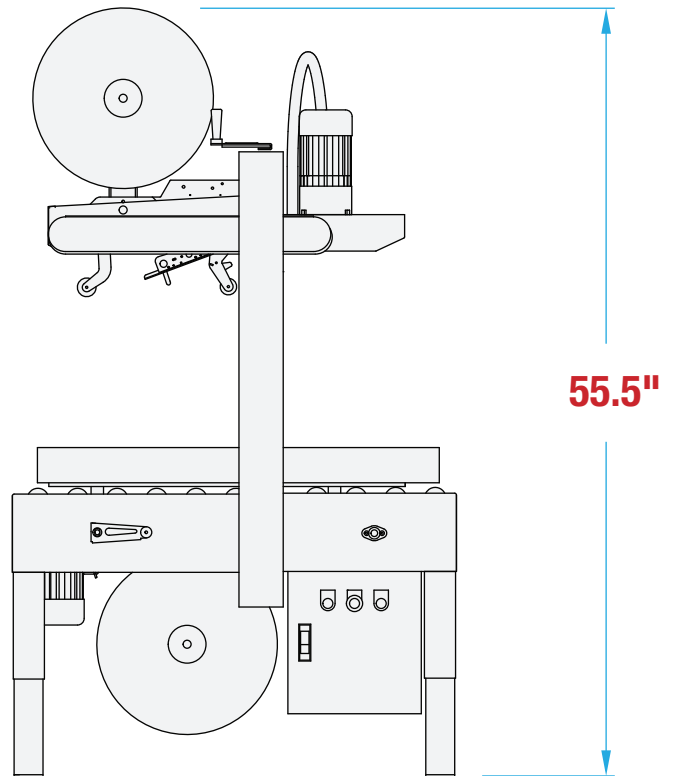
### MACHINE MEASUREMENTS

39.5" X 36.0" X 55.5"  
LENGTH WIDTH HEIGHT

#### TOP VIEW



#### SIDE VIEW



Note: Dimensions are all subject to change without prior notification. Call BestPack for pricing.