



BESTPACK

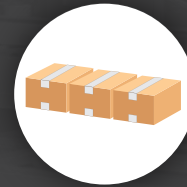


MTD22 FOOTPRINT

MANUAL TOP & BOTTOM DRIVE DUAL MAST SEALER



OPERATOR REQUIRED



UNIFORM CARTONS

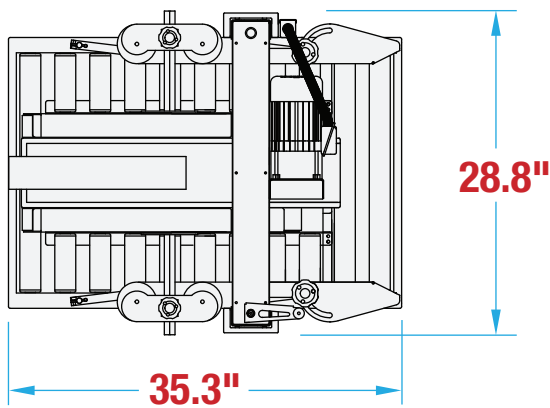


TOP & BOTTOM SEAL

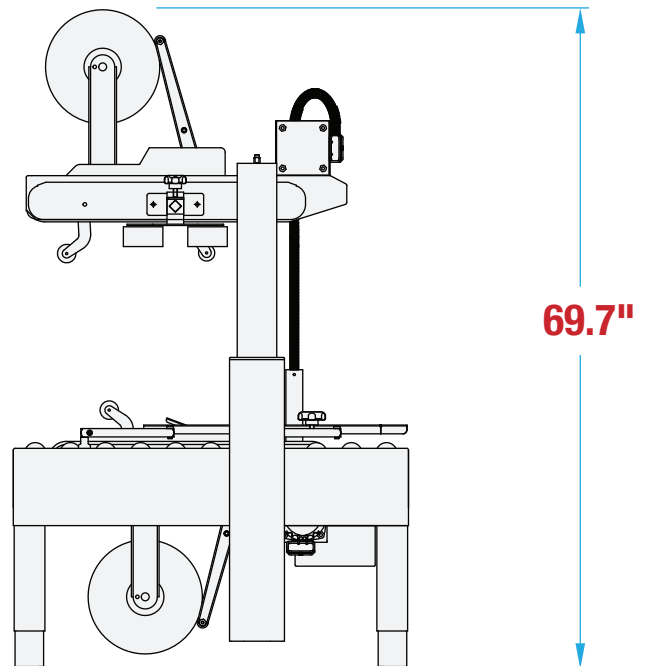
MACHINE MEASUREMENTS

35.3" x 28.8" x 69.7"
LENGTH WIDTH HEIGHT

TOP VIEW



SIDE VIEW



Note: Dimensions are all subject to change without prior notification. Call BestPack for pricing.