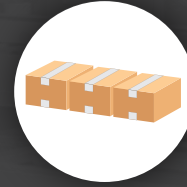


# ARX10 FOOTPRINT

USED FOR SPACING OUT UNIFORM CARTONS



FULLY AUTOMATIC



UNIFORM CARTONS

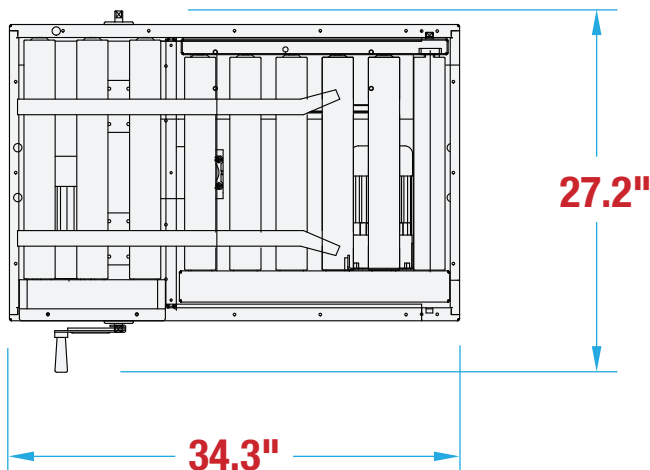


INDEXING

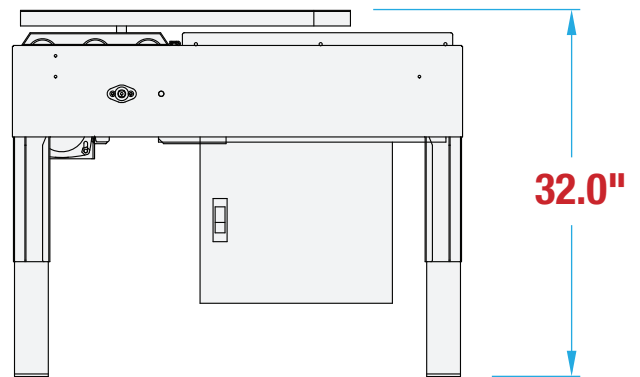
## MACHINE MEASUREMENTS

34.3" x 27.2" x 32.0"  
LENGTH                      WIDTH                      HEIGHT

### TOP VIEW



### SIDE VIEW



Note: Dimensions are all subject to change without prior notification. Call BestPack for pricing.