



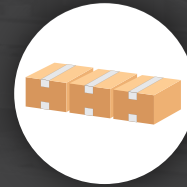
BESTPACK

ARX20 FOOTPRINT

USED FOR SPACING OUT UNIFORM CARTONS



NO OPERATOR REQUIRED



UNIFORM CARTONS



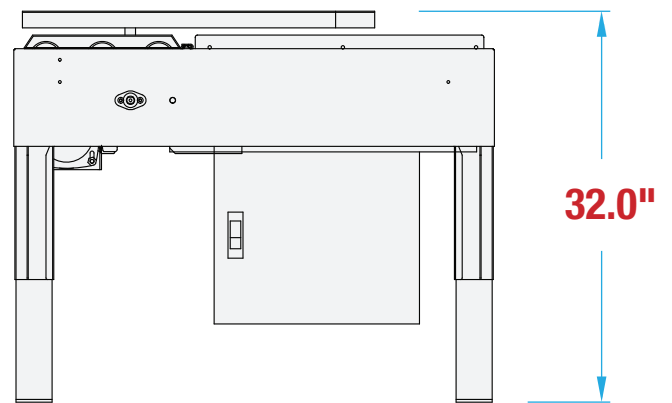
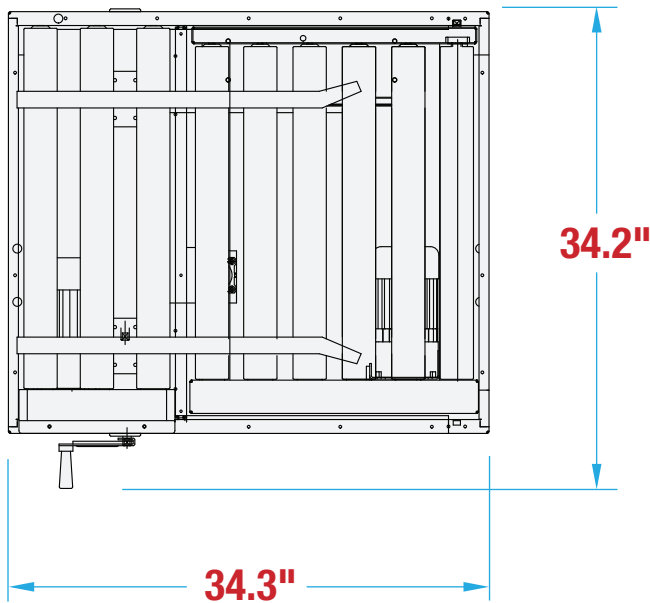
INDEXING

MACHINE MEASUREMENTS

34.3" x 34.2" x 32.0"
LENGTH WIDTH HEIGHT

TOP VIEW

SIDE VIEW



Note: Dimensions are all subject to change without prior notification. Call BestPack for pricing.