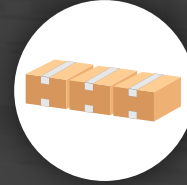


AQ22 FOOTPRINT

AUTOMATIC QUAD DRIVE CARTON SEALER



NO OPERATOR REQUIRED



UNIFORM CARTONS

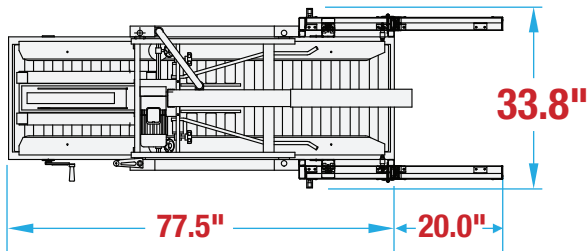


TOP & BOTTOM SEAL

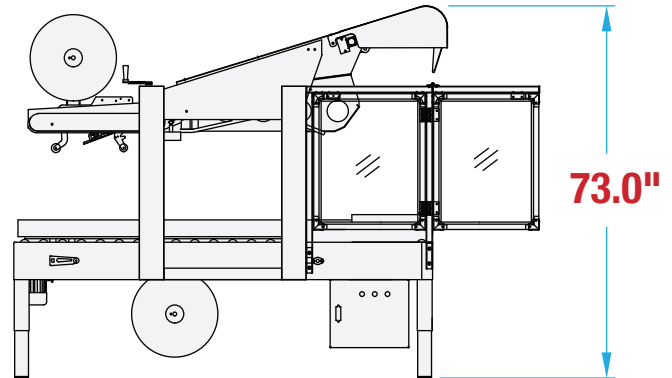
MACHINE MEASUREMENTS

97.5" X 33.8" X 73.0"
LENGTH WIDTH HEIGHT

TOP VIEW



SIDE VIEW



Note: Dimensions are all subject to change without prior notification. Call BestPack for pricing.