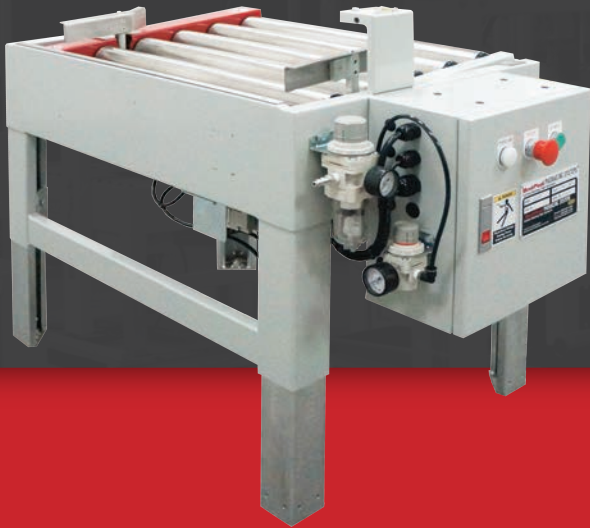
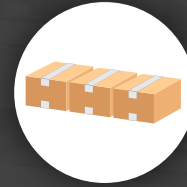


ARX20 FOOTPRINT

USED FOR SPACING OUT UNIFORM CARTONS



NO OPERATOR REQUIRED



UNIFORM CARTONS

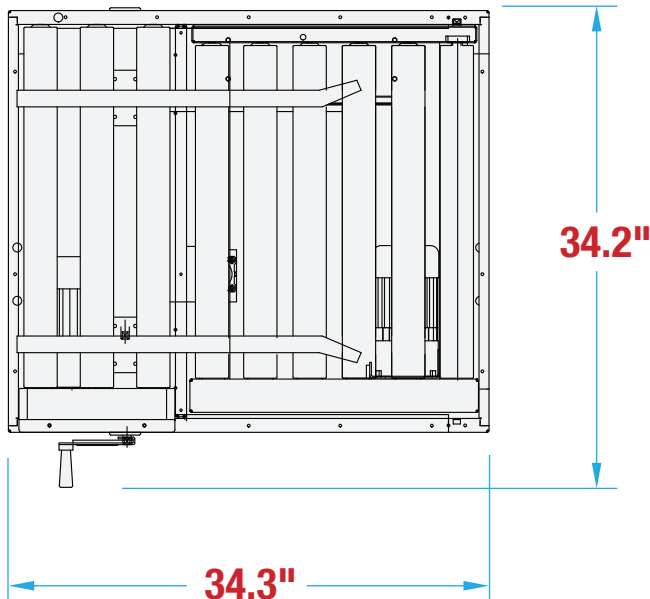


INDEXING

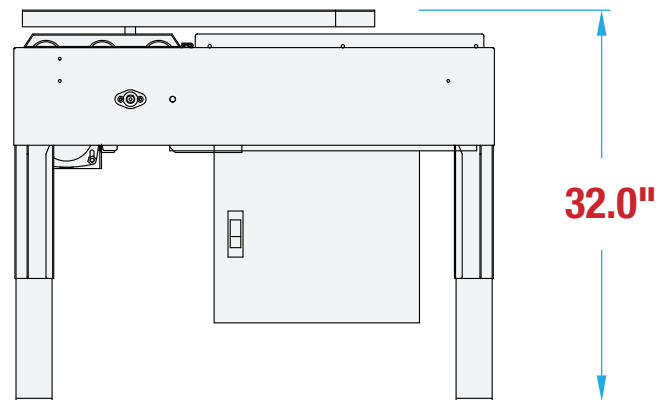
MACHINE MEASUREMENTS

34.3" X 34.2" X 32.0"
LENGTH WIDTH HEIGHT

TOP VIEW



SIDE VIEW



Note: Dimensions are all subject to change without prior notification. Call BestPack for pricing.