

BP UNIVERSAL TAPE HEAD ADAPTER KIT FORM

Date _____

End User
Dealer

 Company Name _____
 Address _____
 City _____ State _____ Zip _____
 Contact Name _____
 Title _____
 Telephone No. _____
 Fax _____
 E-mail _____

 Company Name _____
 Address _____
 City _____ State _____ Zip _____
 Contact Name _____
 Title _____
 Telephone No. _____
 Fax _____
 E-mail _____

Machine Make and Model _____

Serial Number _____

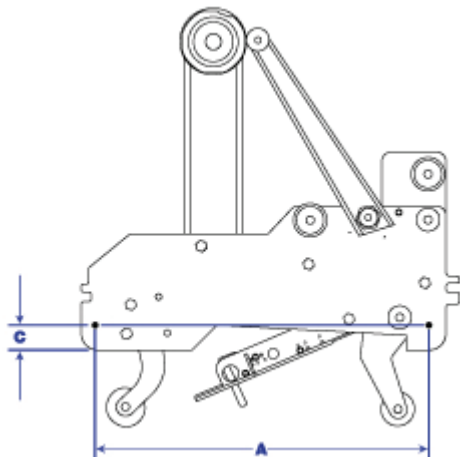
Tape Head Size: 2" 3" Top Bottom

Low Tape Sensor: Y N

No Tape Sensor: Y N

Tape Head Measurements For machines that require mounting studs

Length and height Measurements



- A. Length measurements are from center of stud to center of stud.
- B. Width measurements are from end of stud to end of stud.
- C. Height measurements are from bottom of tape head to center of stud.
- D. Width of tape head cavity
- E. Length of tape head cavity
- F. Diameter of stud
- G. Length of the stud from end of stud to beginning of shoulder

A. _____"	E. _____"
B. _____"	F. _____"
C. _____"	G. _____"
D. _____"	

Width and Diameter

